

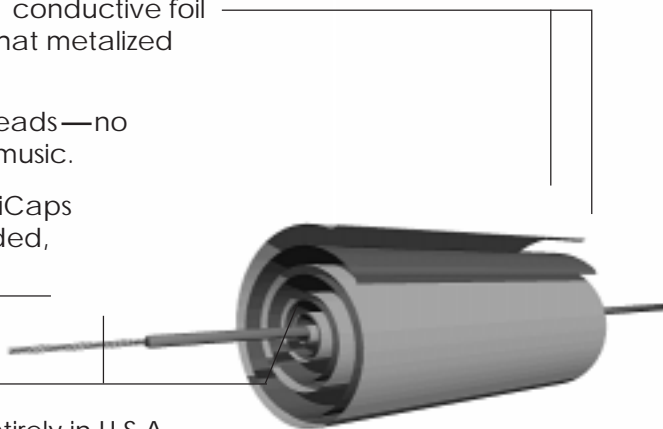
MUSICAP[®]

by

H O V L A N D

F E A T U R E S

- MusiCaps deliver exceptional dynamics, speed, focus, correct timbre and depth of field, and true inter-transient silence.
- Separate layers of polypropylene film & conductive foil deliver superior clarity of reproduction that metalized capacitors can not.
- Custom stranded silver-plated copper leads—no copper oxidation to ever degrade the music.
- 1000V Teflon insulation on coupling MusiCaps 22 gauge leads. Large 16 gauge, stranded, silver-plated copper leads on speaker Musicaps.
- Lead-free silver-bearing solder used in tinning and attachment of leads.
- Tight $\pm 5\%$ tolerances. Manufactured entirely in U.S.A.
- Hand soldered lead termination.
- Extremely low DA, DF and ESR.
- 100% pre-testing for absolute quality assurance.
- Consistent, even, winding tension assures freedom from microphonics.
- A single capacitor = a singular sound—no time smear from multiple sections.
- Value to value sonic consistency that is not found in other capacitors—regardless of price.



What the reviewers say...

"If you want see-thru, high definition, detail and listenability, try the MusiCaps."

Joe Roberts, Editor, SOUND PRACTICES

"After auditioning a wide variety of caps, I find these film-and-foil capacitors to be the most musical performers—and by a large margin. The MusiCap specializes in textural liquidity (lack of grain) and delicacy of treble nuances."

Dick Olsner, Reviewer and Designer

"Without altering the overall timbral balance, the Hovland [MusiCap] expands the harmonic envelope and presents much improved low level retrieval, resulting in better rendering of venue."

Bob Shedlock, LISTENER MAGAZINE

"At last a polypropylene capacitor that has the clarity of film capacitors with none of the ringing, grunging, resonant, dis-harmonic coloration. Finally a film capacitor that in most ways is more refined than the finest megabuck silver/oil capacitors. Your capacitor artistry is profound."

Harvey "Gizmo" Rosenberg, THE AMERICAN AUDIOMANIAC

To order, contact one of the following:

- Madisound Speaker Components 608-831-3433
- Antique Electronic Supply 480-820-5411
- Parts Connexion, Canada 905-681-9602
- Michael Percy Audio Products 530-470-8650
- WD Music Products, Inc. 239-656-4337
- Wilmslow Audio, England 44-1455-286603
- HiFi-Tuning, Germany 49-30-396-6741
- SpeakerBits, Australia 61-3-9682-2487
- Xiao Huang Audio Co., China 852-9789-3791
- Hong Kong Bush, Hong Kong 852-2525-3227
- Western Labo, Japan 81-42-925-5550
- Audio Parts, Korea 82-2-3272-2704
- Tang Hill International Ltd., Taiwan 886-2-8771-3363
- Octave Electronics, Malaysia 603-793-7939
- AHF Art Audio, Singapore 65-3380368
- SAC Thailand, Thailand 66-1-925-8125

OEMs and distributors contact Hovland Company. Phone 209-966-4377 fax 209-966-4632 e-mail hovland@earthlink.net

▪ MUSICAP is a registered trademark of Hovland Company ▪

H O V L A N D

MUSICAP® Capacitors

Hovland MusiCaps enable sensitive audio circuits to achieve their ultimate level of performance. By far the most musically accurate capacitor available, MusiCaps provide a dramatic improvement in clarity, focus and dynamics when used in critical new designs, or as an upgrade to existing tube or solid-state components.

The MusiCap line also includes capacitors expressly designed for use in speakers. Speaker MusiCaps are a revelation in well-designed dynamic crossover networks, or as an upgrade to fine electrostatic speaker systems. Many prominent high-end manufacturers employ Hovland MusiCaps in their top speaker models.

The no-compromise design of MusiCaps dictates a painstaking manufacturing process using costly materials. The result is a quality product which, while not inexpensive, delivers immediately discernible benefits and will over the long run prove an exceptional value.

MusiCap Design

MusiCaps are constructed of a special variety of foil and polypropylene film, rather than the sonically inferior deposited-particle "metalized film" used in other popular capacitors. Polypropylene is chosen in part because of its superior ability to form an intimate bond with the thin foil—neither Teflon nor polystyrene mate as well. MusiCaps are individually machine-rolled, and the leads are carefully hand-soldered using lead-free silver-bearing solder. The leads are stranded, Teflon insulated, silver-plated copper—a vast improvement over sound-degrading solid copper or steel leads. In addition, the winding method and density of MusiCaps helps quell microphonic tendencies.

Sonic Consistency

From the outset, attention was given to creating capacitors that maintain their musical qualities from the smallest to the largest value. Unlike other brands of capacitors that often sound different as the value changes, MusiCap proprietary design parameters result in remarkable value-to-value sonic consistency. 100% pre-testing and tight $\pm 5\%$ tolerances assure absolute quality.

Size

As a result of the premium materials used to produce MusiCaps, they are approximately 100% larger than common metalized capacitors. Because of their greater size, 15 μ F is the largest MusiCap value we can make. You may combine MusiCaps in parallel to obtain custom values or values larger than 15 μ F. [Usage notes: MusiCap lead lengths are approximately 2 inches on coupling caps, 4 inches on speaker caps; The red lead is the foil inner edge. It is preferable to connect the red lead towards the output of the circuit.]

MusiCap Speaker Capacitors

Critical loudspeaker crossovers deserve to have a transparent product specific to the application. MusiCap speaker capacitors are identical in design to our standard MusiCaps except for the larger leads, which are 16 gauge, fine-strand, silver-plated copper. It makes little sense to invest in expensive, high-quality speaker cable and internal wiring, only to have the signal pass through solid leads of insufficient gauge. While a fully "MusiCap-ed" crossover is supreme, just installing MusiCaps in the tweeter circuit can reveal much additional detail and nuance.

Hovland MusiCaps — The component of choice when musical realism is your goal.